

## INDOOR & OUTDOOR WAREHOUSE SPEAKERS (V-5330235-INDOOR & V-5330240-OUTDOOR)

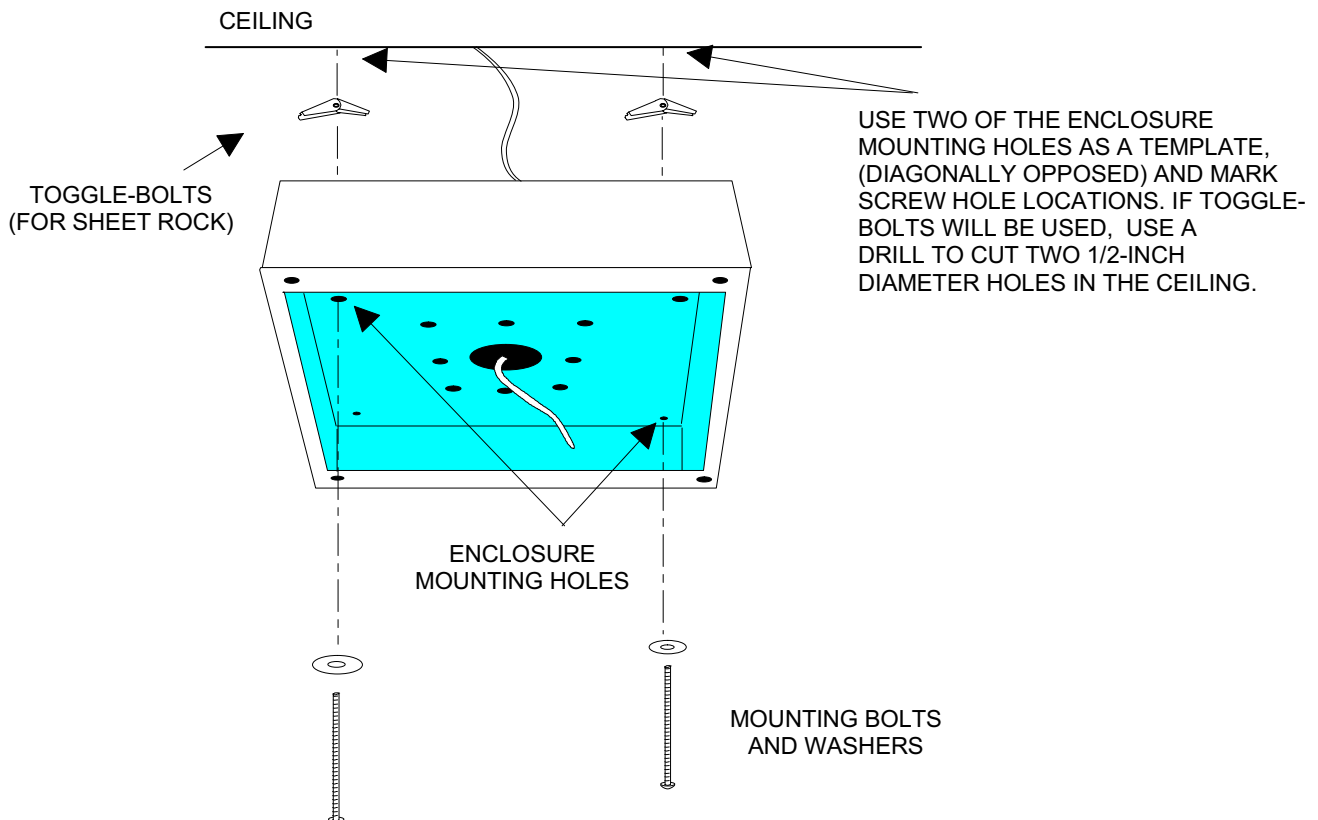
### Dimensions/Weight

- 12"H x 12"W x 4"D (30.48cm x 30.48cm x 10.16cm)
- 11.0 lbs. (5.0 kg)

**Note:** The Outdoor Model has a water resistant speaker cone for outdoor use.

- 1** ENSURE POWER IS NOT CONNECTED TO SPEAKER WIRES PRIOR TO INSTALLATION.  
FOLLOW ALL LOCAL SAFETY AND BUILDING CODES AND ROUTE 70 VOLT SPEAKER WIRES TO DESIRED SPEAKER LOCATION. PULL WIRE THROUGH OPENING IN CEILING.

- 2** PULL SPEAKER WIRE THROUGH TOP (LARGE) OPENING OF SPEAKER ENCLOSURE. USING THE SUPPLIED MOUNTING HARDWARE, SECURE THE ENCLOSURE TO THE CEILING. NOTE THAT TWO TOGGLE-BOLT/SCREWS (FOR SHEET ROCK CEILINGS) AND TWO WOOD SCREWS (FOR SECURING TO SOLID WOOD/BEAMS) HAVE BEEN INCLUDED. UTILIZE THE TWO WASHERS SUPPLIED (SEE DIAGRAM).



3

THE NEXT STEP IS TO ATTACH THE SPEAKER WIRES TO THE APPROPRIATE TAPS (WIRES) LOCATED ON THE BACK OF THE SPEAKER. OBSERVE PROPER POLARITY.

**NOTE:** NORMAL TAP SETTING FOR QUIET OFFICE IS .25 WATT.

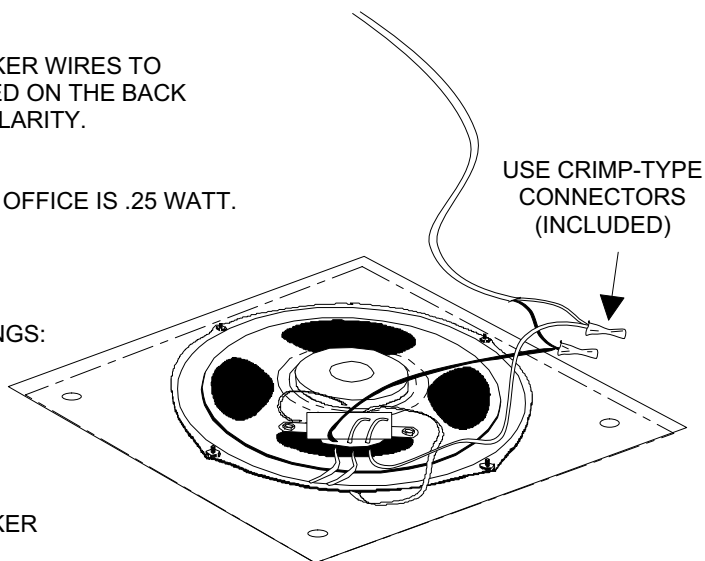
BASED ON SPECIFIC AREA dB LEVELS, SELECT THE DESIRED POWER TAP SETTINGS:

- GREEN = 1/4
- YELLOW = 1/2W
- ORANGE = 1W
- RED = 2W
- BROWN = 4W.

CONNECT THE (+) 70V SIDE OF THE SPEAKER WIRE TO A POWER TAP WIRE.

CONNECT THE (-) COMMON SIDE OF THE SPEAKER WIRE TO THE BLACK COMMON LEAD.

INDIVIDUALLY TAPE OR CLIP EACH TIP OF EXPOSED WIRE ON THE UNUSED POWER-TAPS AND PLACE THEM NEATLY AROUND THE SPEAKER HOUSING. THIS WILL ENSURE THAT THERE WILL NOT BE ANY SHORTS/GROUNDS OR WATTAGE PROBLEMS IN THE SPEAKER ENCLOSURE OR WIRE RUN.



4

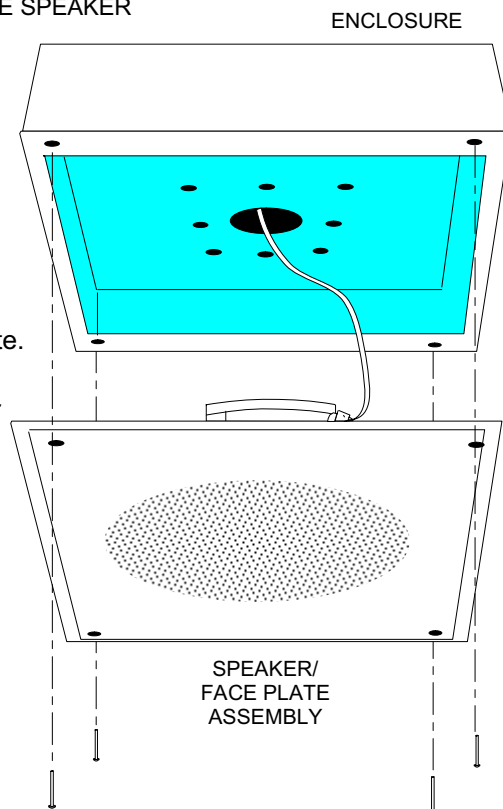
SECURE THE SPEAKER / FACE PLATE ASSEMBLY TO THE MOUNTED ENCLOSURE. USE FOUR 1-INCH SCREWS (INCLUDED).

### TECHNICAL ASSISTANCE

When calling, have a VOM and a test set and call from the job site. Call (540) 427-3900 and ask for PagePac Technical Support, or call (540) 427-6000 for Valcom 24-hour Automated Support or visit our websites at <http://www.pagepac.com> and [www.valcom.com](http://www.valcom.com).

Should repairs be necessary, attach a tag to the unit clearly stating company name, address, phone number, contact person, and the nature of the problem. Send the unit to:

**Valcom, Inc.**  
**PagePac® Repair Dept.**  
**5614 Hollins Road**  
**Roanoke, VA 24019-5056**



<b>SQUARE INDOOR/OUTDOOR SPEAKER W/BACKBOX PROJECTION DISTANCE</b>					
<b>SOUND PRESSURE LEVELS AND WATTAGE SETTINGS</b>					
<b>NOISE LEVEL</b>	<b>SPL-91</b>	<b>SPL-94</b>	<b>SPL-95</b>	<b>SPL-100</b>	<b>SPL-103</b>
<b>IN dB</b>	<b>.25 WATT</b>	<b>.50 WATT</b>	<b>1.0 WATT</b>	<b>2.0 WATT</b>	<b>4.0 WATT</b>
60 dB	86				
61 dB	75				
62 dB	64				
63 dB	58	86			
64 dB	53	75			
65 dB	48	64			
66 dB	42	58	86		
67 dB	37	53	75		
68 dB	32	48	64		
69 dB	28	42	58	86	
70 dB	24	37	53	75	
71 dB	20	32	48	64	
72 dB	16	28	42	58	86
73 dB	12	24	37	53	75
74 dB	8	20	32	48	64
75 dB		16	28	42	58
76 dB		12	24	37	53
77 dB		8	20	32	48
78 dB			16	28	42
79 dB			12	24	37
80 dB			8	20	32
81 dB				16	28
82 dB				12	24
83 dB				8	20
84 dB					16
85 dB					12
86 dB					8